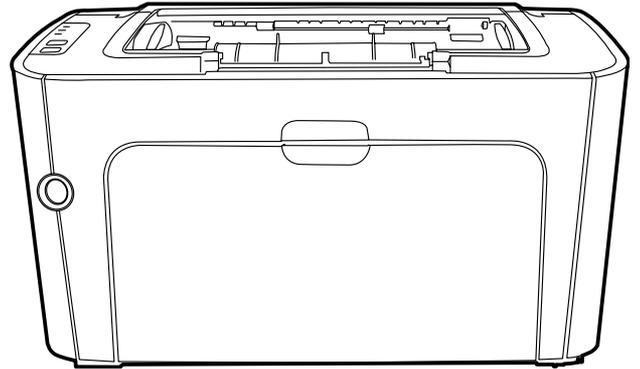


HP LaserJet P1500n Series



- EN** Getting Started Guide
- CN** 入门指南
- ID** Panduan Persiapan
- KO** 시작 설명서
- TH** คู่มือเริ่มต้นอย่างรวดเร็ว
- TW** 入門指南
- VI** Hướng dẫn Làm quen



© 2007 Hewlett-Packard Development Company, L.P.

www.hp.com



Terdaftar di Deperindag Provinsi DKI Jakarta No : 0009/1.824.51



CB412-90916

Copyright and License

© 2007 Copyright Hewlett-Packard Development Company, L.P.

Reproduction, adaptation or translation without prior written permission is prohibited, except as allowed under the copyright laws.

The information contained herein is subject to change without notice.

The only warranties for HP products and services are set forth in the express warranty statements accompanying such products and services. Nothing herein should be construed as constituting an additional warranty. HP shall not be liable for technical or editorial errors or omissions contained herein.

Part number: CB412-90916
Edition 1, 11/2007

FCC Regulations

This equipment has been tested and found to comply with the limits for a Class B digital device, pursuant to Part 15 of the FCC rules. These limits are designed to provide reasonable protection against harmful interference in a residential installation. This equipment generates, uses, and can radiate radio-frequency energy. If this equipment is not installed and used in accordance with the instructions, it may cause harmful interference to radio communications. However, there is no guarantee that interference will not occur in a particular installation. If this equipment does cause harmful interference to radio or television reception, which can be determined by turning the equipment off and on, correct the interference by one or more of the following measures:

- Reorient or relocate the receiving antenna.
- Increase separation between equipment and receiver.
- Connect equipment to an outlet on a circuit different from that to which the receiver is located.
- Consult your dealer or an experienced radio/TV technician.

版权和许可证

©2007 Copyright Hewlett-Packard Development Company, L.P.

未经事先书面许可，严禁进行任何形式的复制、改编或翻译，除非版权法另有规定。

此处包含的信息如有更改，恕不另行通知。

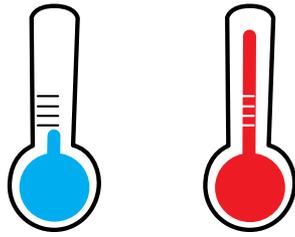
HP 产品和服务的所有保修事项已在产品和服务所附带的保修声明中列出，此处内容不代表任何额外保修。HP 公司对此处任何技术性编辑性的错误或遗漏概不负责。

部件号 CB412-90916
Edition 1, 11/2007

FCC（美国联邦通信委员会）规章执行

本设备经测试证明符合 FCC 规章第 15 部分有关 B 级数字设备的限制规定。这些限制旨在对住宅安装中的有害干扰提供合理防护。此设备可产生、使用并会发射无线射频能量。如果不按照说明进行安装和使用，有可能对无线电通讯产生有害的干扰。但是，这并不能排除安装的个别设备产生干扰的可能性。如果此设备确实对收音机或电视机的接收造成干扰（可通过开关此设备来确定），建议您采用以下一种或多种措施排除干扰：

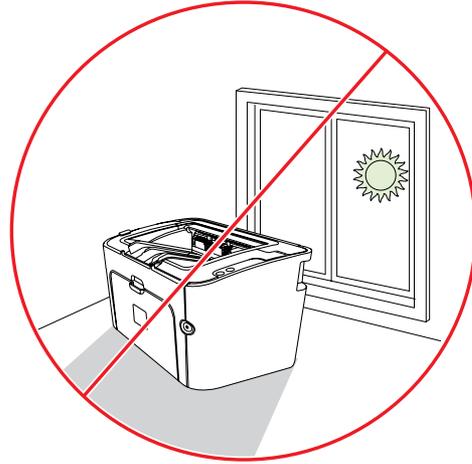
- 重新调整接收天线的方向或位置。
- 加大设备和无线电接收设备之间的距离。
- 将设备连接到与接收设备使用不同电路的电源插座上。
- 请咨询代理商或经验丰富的收音机/电视机技术人员。



10° – 32.5°C
(50° – 91°F)



10% – 80%



EN Select a sturdy, well-ventilated, dust-free area to position the device.

CN 选择稳固、通风良好的无尘环境来放置设备。

ID Pilih tempat yang aman dan kuat dengan ventilasi memadai dan bebas debu untuk meletakkan perangkat.

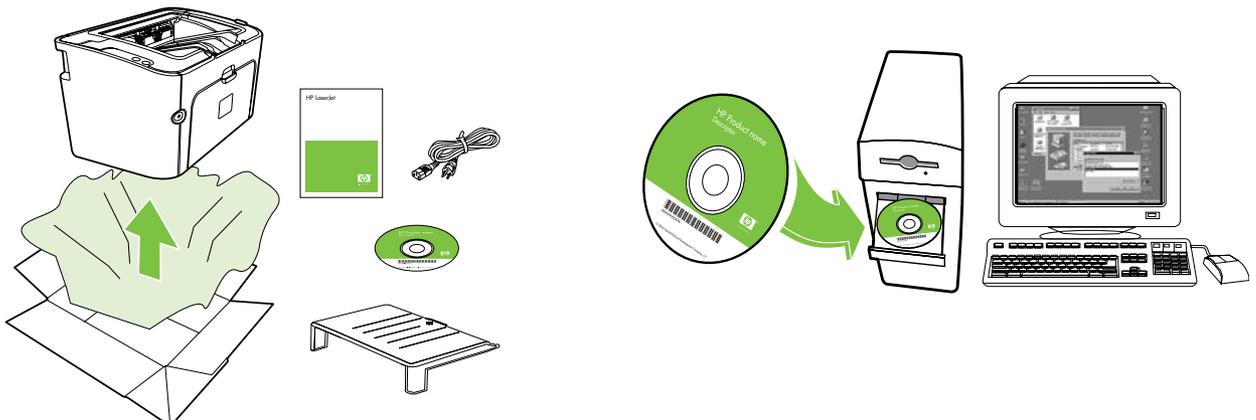
KO 장치를 설치하기 위해 견고하고 환기가 잘 되며 먼지가 없는 장소를 선택하십시오.

TH เลือกวางเครื่องพิมพ์ไว้ในบริเวณที่แข็งแรง มีการระบายอากาศที่ดีและปราศจากฝุ่น

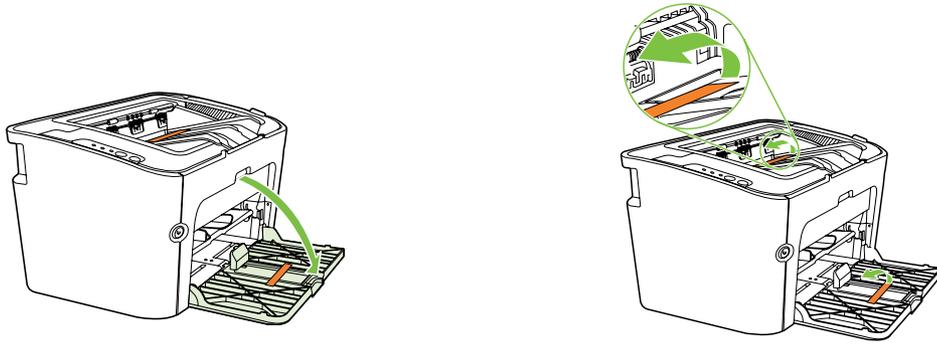
TW 選擇一個堅固、通風良好且無塵的區域來放置設備。

VI Chọn một vị trí vững chắc, thông gió tốt và không có bụi để đặt thiết bị.

1



2



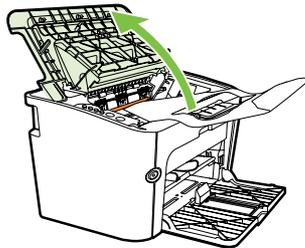
- EN** Remove all orange shipping materials.
- CN** 取下所有橙色运输包装材料。
- ID** Lepaskan semua tali pengikat kemasan berwarna oranye.
- KO** 오렌지색 포장재를 모두 제거합니다.
- TH** แกะวัสดุสีส้มทั้งหมดที่มาพร้อมกับบรรจุภัณฑ์ออก
- TW** 取出所有橘色裝運材料。
- VI** Tháo gỡ tất cả những vật liệu gửi hàng màu cam.

3

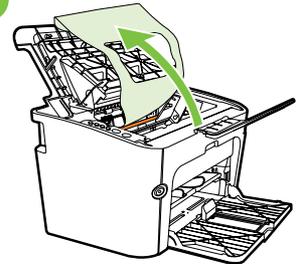
1



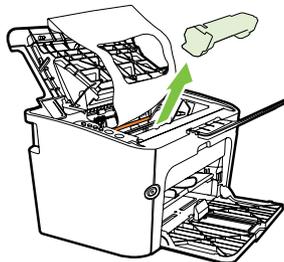
2



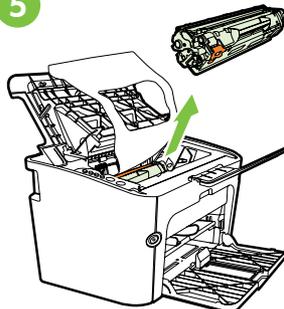
3



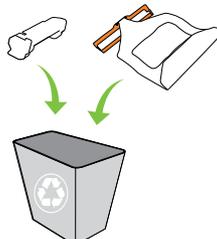
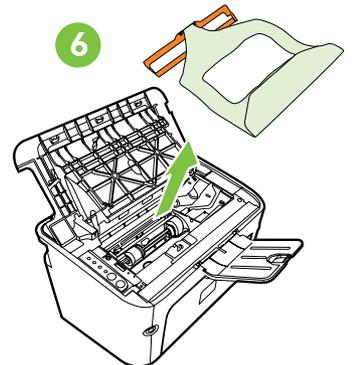
4



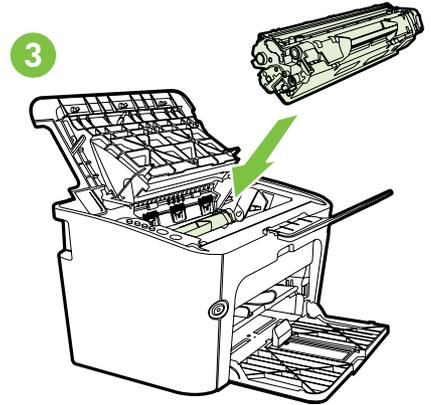
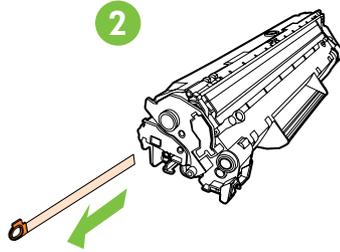
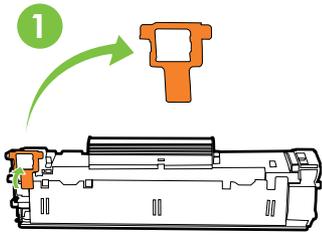
5



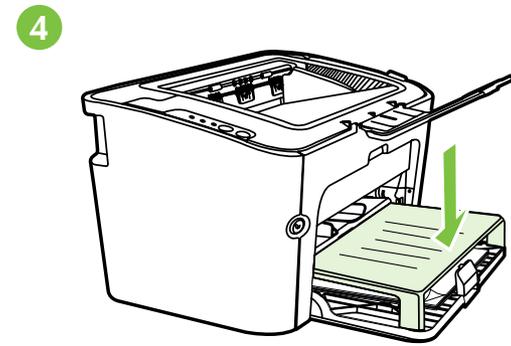
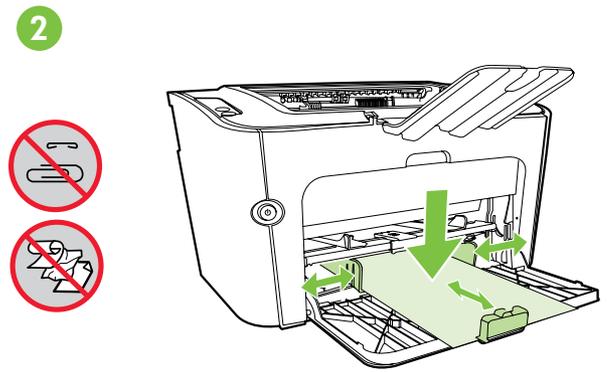
6



4

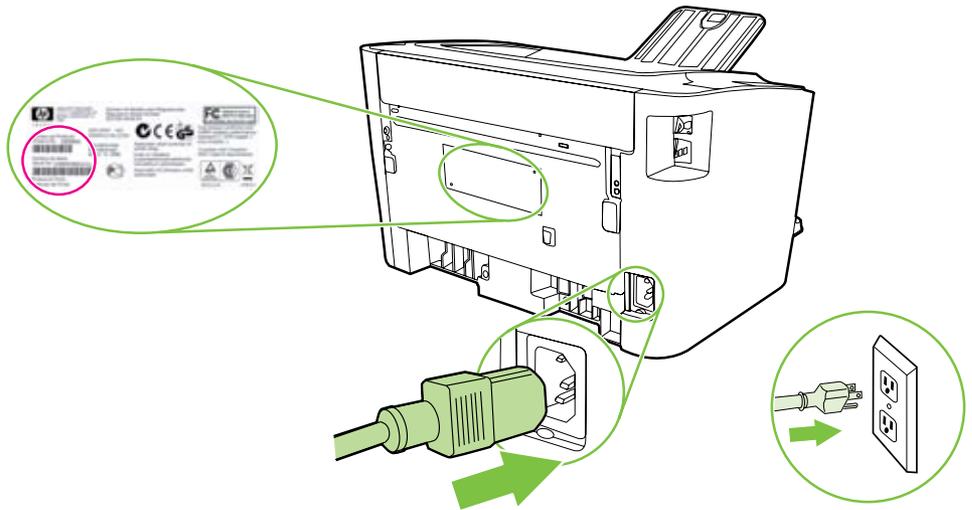


5

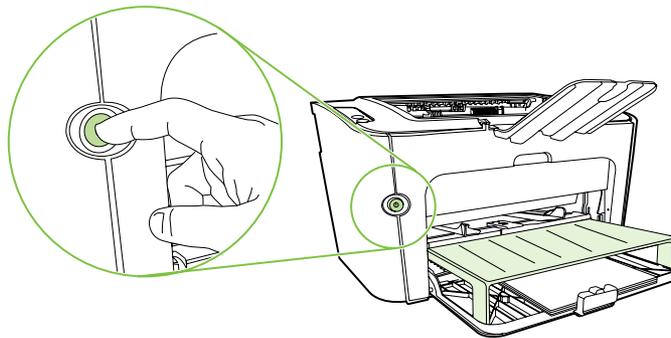


6

Model # _____
Product # _____
Serial # _____

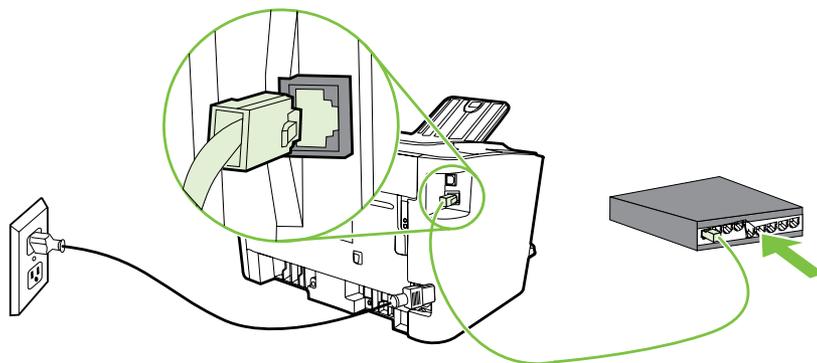
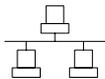


7



- EN Turn printer on.
- CN 打开打印机电源。
- ID Hidupkan printer.
- KO 프린터의 전원을 켜십시오.
- TH เปิดเครื่องพิมพ์
- TW 開啟印表機電源。
- VI Bật máy in.

8



- EN** Connect a Network (N model only) cable.
- CN** 连接网络（仅限 N 型）电缆。
- ID** Pasang kabel Jaringan (hanya model N).
- KO** 네트워크 케이블을 연결하십시오(N 모델에 한함).
- TH** เชื่อมต่อสายเคเบิลเครือข่าย (รุ่น N เท่านั้น)
- TW** 連接網路纜線（僅適用於 N 機型）。
- VI** Kết nối cáp Mạng (chỉ dành cho kiểu N).

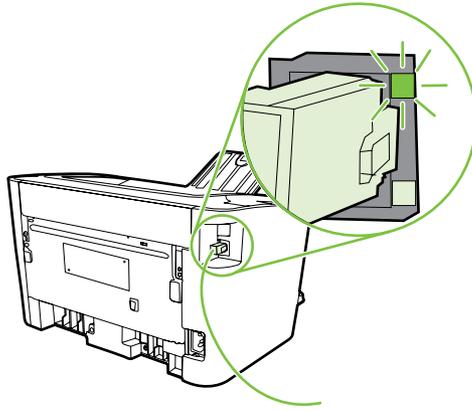
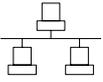
9



(3m/10')

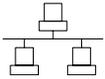
- EN** Do not connect USB until prompted by the software.
- CN** 未出现软件提示前，请勿连接 USB 电缆。
- ID** Jangan pasang USB hingga diminta oleh perangkat lunak.
- KO** 소프트웨어에서 지시하기 전에는 USB를 연결하지 마십시오.
- TH** ห้ามเชื่อมต่อสายเคเบิล USB จนกว่าซอฟต์แวร์จะแสดงข้อความ
- TW** 未出現軟體提示前，請不要連接 USB 纜線。
- VI** Không được kết nối USB cho tới khi có lời nhắc của phần mềm này.

10



- EN** Verify that one of the network lights (10 or 100) is illuminated on network port.
- CN** 检查网络端口上是否有一个网络指示灯（10 或 100）亮起。
- ID** Pastikan salah satu lampu jaringan (10 atau 100) menyala pada port jaringan.
- KO** 네트워크 포트에 있는 네트워크 표시등 중 하나(10 또는 100)에 불이 들어오는지 확인합니다.
- TH** ตรวจสอบว่า ไฟสัญญาณเครือข่ายดวงใดดวงหนึ่ง (10 หรือ 100) สว่างขึ้นบนพอร์ตเครือข่าย
- TW** 確認是否網路連接埠上的其中一個網路指示燈（10 或 100）亮起。
- VI** Xác nhận là một trong những đèn báo (10 hoặc 100) ở cổng mạng đã bật sáng.

11



- EN** **Note:** IP address is needed for network installations. Press the Go button to print a Configuration Page, which will have the IP address. Printer could take up to 4 minutes to receive an IP address from the time it is connected to the network.
- CN** **注：**网络安装需要有 IP 地址。请按“执行”按钮打印“配置页”，其中将显示 IP 地址。将打印机连接到网络后，最多可能需要 4 分钟的时间接收 IP 地址。
- ID** **Catatan:** Alamat IP diperlukan untuk penginstalan jaringan. Tekan tombol Mulai untuk mencetak Halaman Konfigurasi yang akan memiliki alamat IP. Printer mungkin memerlukan waktu hingga 4 menit untuk menerima alamat IP sejak terhubung ke jaringan.
- KO** **주의:** 네트워크 설치를 위해 IP 주소가 필요합니다. IP 주소가 있는 구성 페이지를 인쇄하려면 진행 단추를 누릅니다. IP 주소를 수신하려면 프린터가 네트워크에 연결된 후 최대 4분이 걸릴 수 있습니다.
- TH** **หมายเหตุ:** ต้องใช้แอดเดรส IP สำหรับการติดตั้งเครือข่าย กดปุ่มทำงานเพื่อพิมพ์หน้ากำหนดค่า ซึ่งจะมีข้อมูลแอดเดรส IP เครื่องพิมพ์จะใช้เวลาไม่เกิน 4 นาทีนับจากเวลาที่เชื่อมต่อเข้ากับเครือข่ายเพื่อรับแอดเดรส IP
- TW** **注意：**安裝網路時需要有 IP 位置。按一下「列印」按鈕可以列印含有 IP 位置的組態頁。從連線網路開始，印表機可能需要最多 4 分鐘來接收到 IP 位置。
- VI** **Ghi chú:** Cần phải có địa chỉ IP để cài đặt mạng. Nhấn nút Bắt đầu để in Trang Cấu hình sẽ có địa chỉ IP. Máy in sẽ cần 4 phút, từ khi kết nối vào mạng, để nhận địa chỉ IP.

12

- EN** Start the software installation and follow the onscreen instructions.
- CN** 开始安装软件，并按照屏幕上的说明操作。
- ID** Mulai penginstalan perangkat lunak dan ikuti petunjuk yang muncul pada layar.
- KO** 소프트웨어 설치를 시작하고 화면에 표시되는 지시 사항을 따릅니다.
- TH** เริ่มต้นการติดตั้งซอฟต์แวร์และทำตามคำแนะนำบนหน้าจอ
- TW** 開始安裝軟體，請依照螢幕上的指示操作。
- VI** Khởi động cài đặt phần mềm này và làm theo hướng dẫn trên màn hình.

EN Product Documentation

The electronic User Guide is on the CD-ROM that came with the printer or is in the HP program folder on your computer. It contains the following:

- Problem Solving
- Important safety notices and regulatory information
- Detailed user instructions

This information is also available at <http://www.hp.com/support/ljp1500>

CN 产品说明文档

您可在打印机附带的 CD-ROM 光盘上找到电子版用户指南，也可在计算机上的 HP 程序文件夹中找到。该指南包括：

- 问题解决
- 重要的安全通告和管制信息
- 详细用户说明

以上信息也可以从以下网站获得：<http://www.hp.com/support/ljp1500>

ID Dokumentasi Produk

Panduan Pengguan versi elektronik tersedia pada CD-ROM yang diberikan bersama printer atau tersedia dalam folder program HP di komputer Anda. Panduan tersebut mencakup:

- Mengatasi Masalah
- Pernyataan keselamatan dan informasi tentang peraturan penting
- Petunjuk pengguna lengkap

Informasi ini juga tersedia di <http://www.hp.com/support/ljp1500>

KO 제품 설명서

전자 사용 설명서는 프린터와 함께 제공되는 CD-ROM 또는 컴퓨터의 HP 프로그램 폴더에 있습니다. 설명서는 다음과 같이 구성되어 있습니다.

- 문제 해결
- 중요 안전 고지 사항 및 규정 정보
- 자세한 사용자 지시 사항

이 정보는 <http://www.hp.com/support/ljp1500>에도 제공됩니다.

TH เอกสารสำหรับผลิตภัณฑ์

คู่มือผู้ใช้แบบอิเล็กทรอนิกส์อยู่บนแผ่นซีดีรอมที่มาพร้อมกับเครื่องพิมพ์ หรืออยู่ในโฟลเดอร์โปรแกรม HP บนคอมพิวเตอร์ของท่าน คู่มือผู้ใช้ประกอบด้วยส่วนต่างๆ ต่อไปนี้

- การแก้ไขปัญหา
- ประกาศด้านความปลอดภัยและข้อมูลเกี่ยวกับการควบคุมที่สำคัญ
- คำแนะนำสำหรับผู้ใช้โดยละเอียด

ท่านสามารถดูข้อมูลนี้ได้จาก <http://www.hp.com/support/ljp1500>

TW 產品文件

您可以在印表機隨附的 CD ROM 或電腦上的 HP 程式資料夾內找到《使用指南》的電子檔。內容包括下列部分：

- 問題解決
- 重要安全說明和安全規章資訊
- 詳細的使用者說明

您也可以從 <http://www.hp.com/support/ljp1500> 查詢相關資訊。

VI Tài liệu cho Sản phẩm

Hướng dẫn sử dụng điện tử này có sẵn trong đĩa CD-ROM đi kèm với máy in hoặc trong thư mục chương trình HP trong máy tính của bạn. Trong đó bao gồm:

- Xử lý Sự cố
- Các thông báo an toàn quan trọng và thông tin về tuân thủ quy định
- Các hướng dẫn chi tiết cho người dùng

Thông tin này cũng có sẵn tại <http://www.hp.com/support/ljp1500>

